

1	2	3	4
RevNo	Revision note	Date	Signature

A

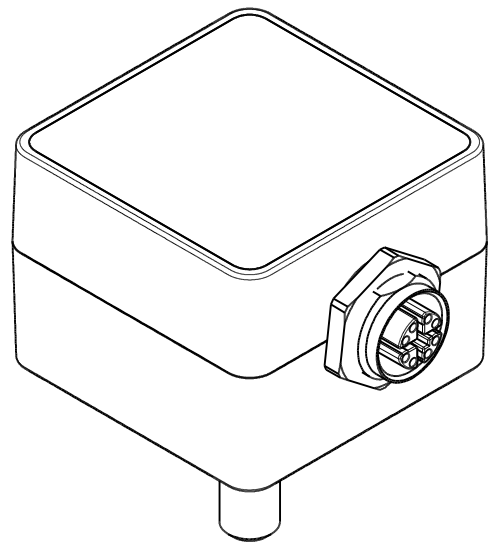
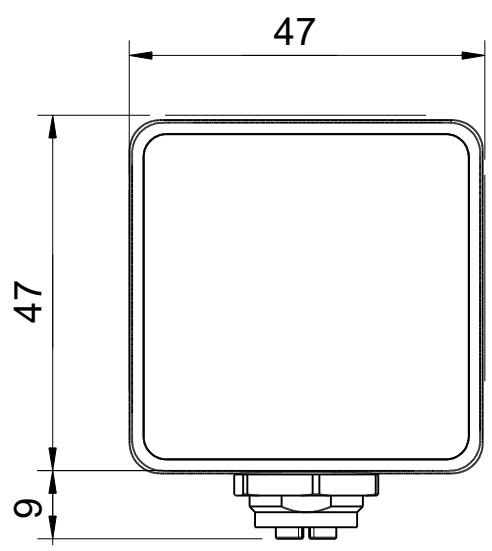
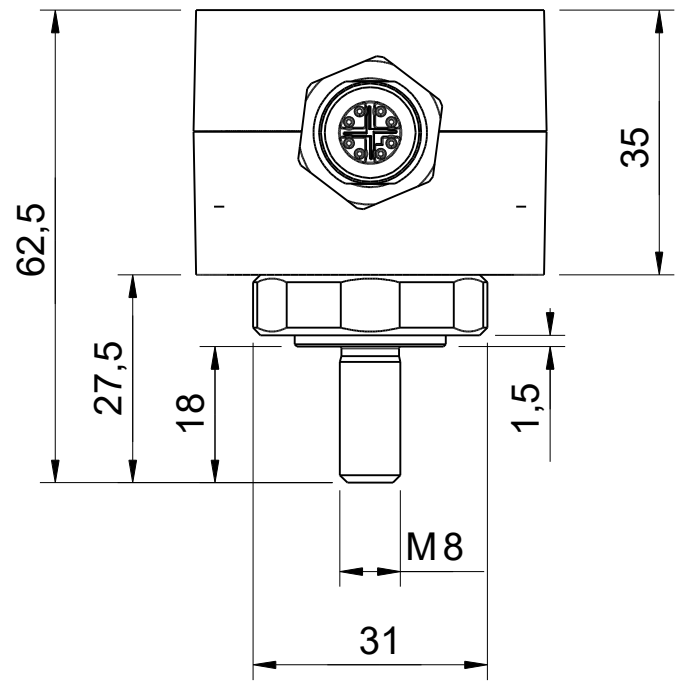
B

C

D

E

F



Itemref	Quantity	Title/Name, designation, material, dimension etc		Article No./Reference	
Drawn by	Checked by	Approved by - date	File name	Date	Scale
				05.07.2023	1:1
BestSens vibDOT				Edition	Sheet
					1 von 1